



R T H ● R I G I N A L

HIP HOLD VA Variable Angle

For accurate implant positioning



Accurate and reproducible patient and implant orientation



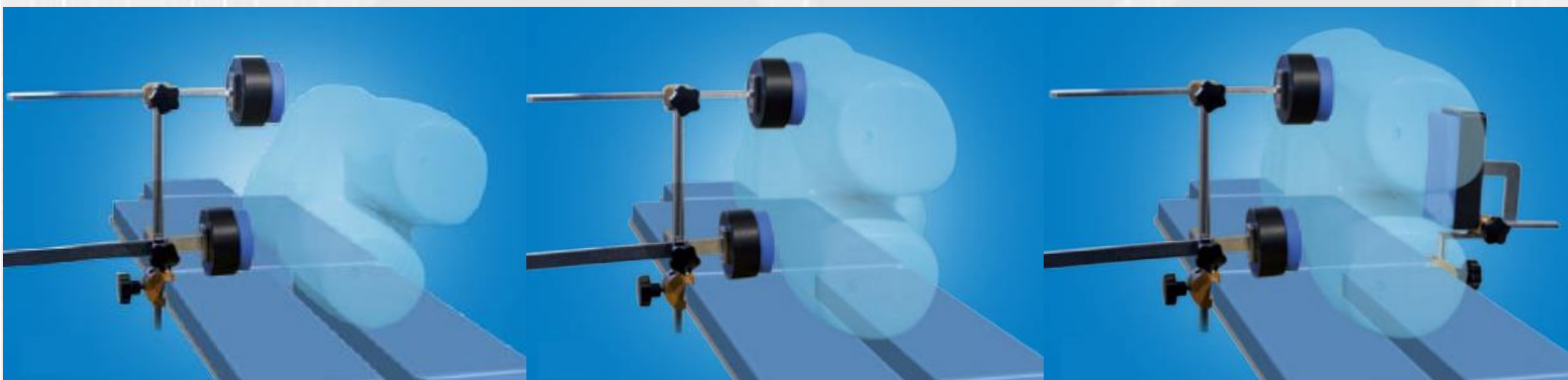
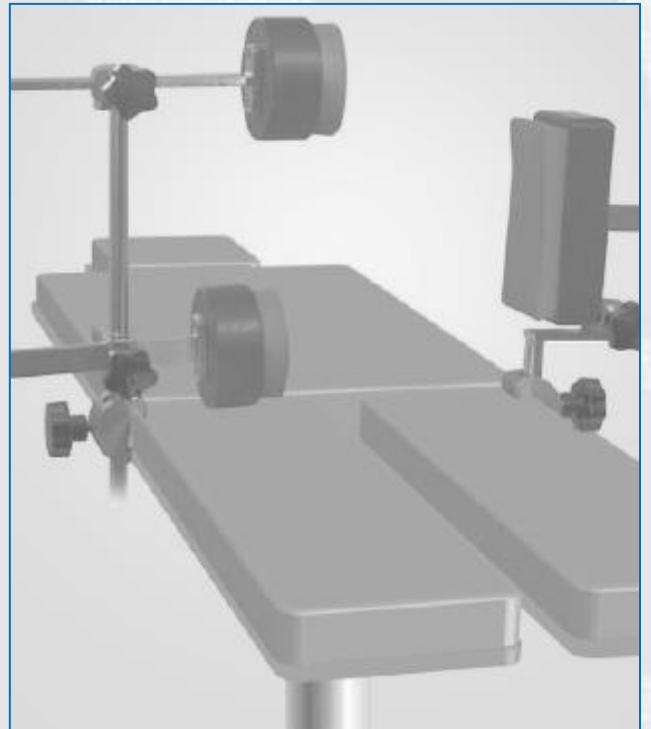
Patient abdomen free from pressure



Clean and soft foam cushions



90° Fixed 90° Hip Hold also available



www.orthoriginal.bzh



R T H ● R I G I N A L



Tél. : +33 (0)2.23.35.53.40

Fax : +33 (0)2.23.35.16.35

contact@orthoriginal.bzh

Orthoriginal, 44C Rue de Bray
35510 Cesson-Sévigné, France