

ORTH ORIGINAL

Révision de la hanche

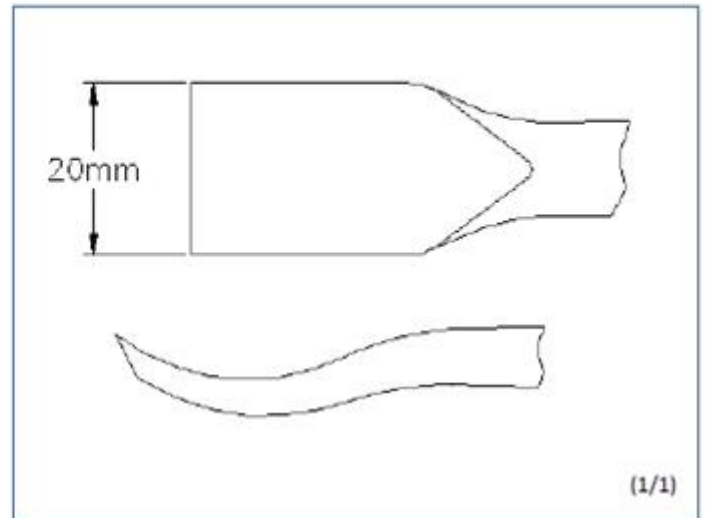
Hip revision

Ciseau

Chisel

M 503013 – Ponta 20mm
32cm comprimento

20mm Width
32cm Length

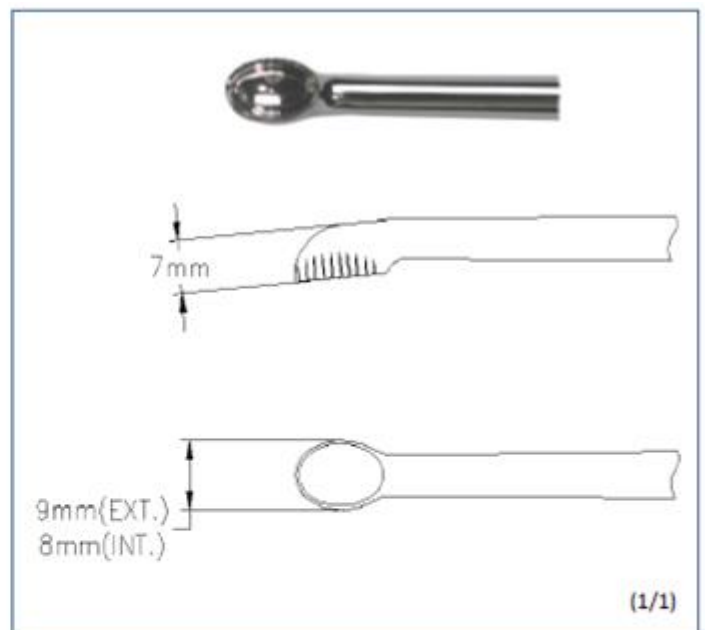


Curette pour ciment à os

Bone Cement Curette

M 503022 – Concha 9mm serrilhada
37,5cm comprimento

9mm Serrated
37,5cm Length



Gouges pour ciment à os

Bone Cement Gouges

M 503064 – Ponta 5mm, Ângulo positivo
39,5cm comprimento

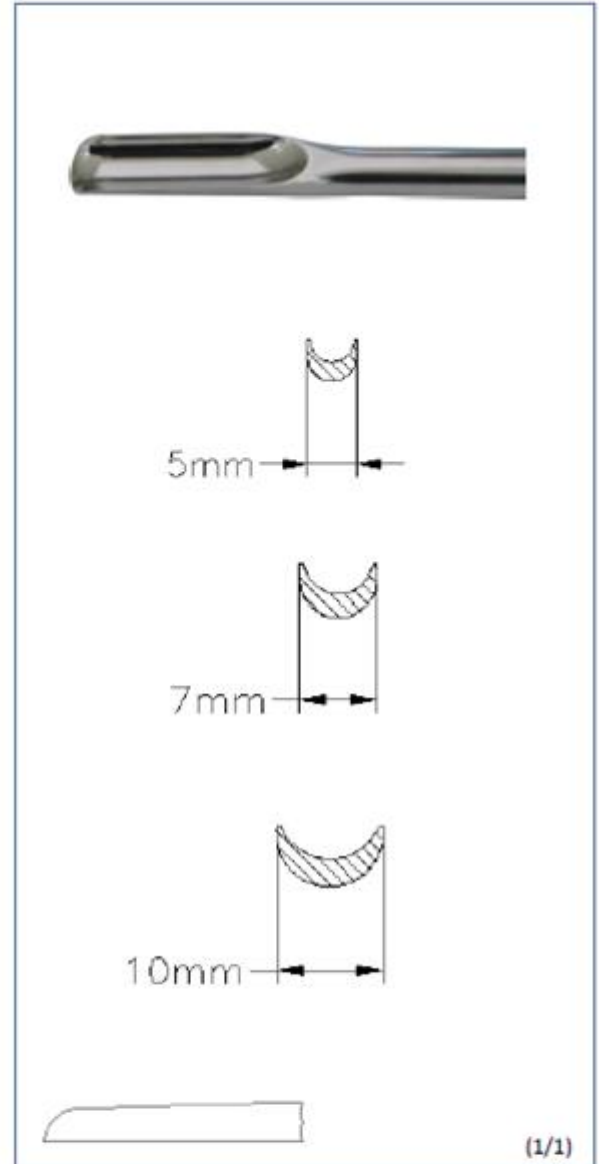
*5mm Width
39,5cm Length*

M 503066 – Ponta 7mm, Ângulo positivo
39,5cm comprimento

*7mm Width
39,5cm Length*

M 503068 – Ponta 10mm, Ângulo positivo
39,5cm comprimento

*10mm Width
39,5cm Length*



Ostéotome pour ciment à os

Bone Cement Osteotome

M 503006 – Ponta 5mm largura
39,5cm comprimento

*5mm Width
39,5cm Length*

M 503007 – Ponta 7mm largura
39,5cm comprimento

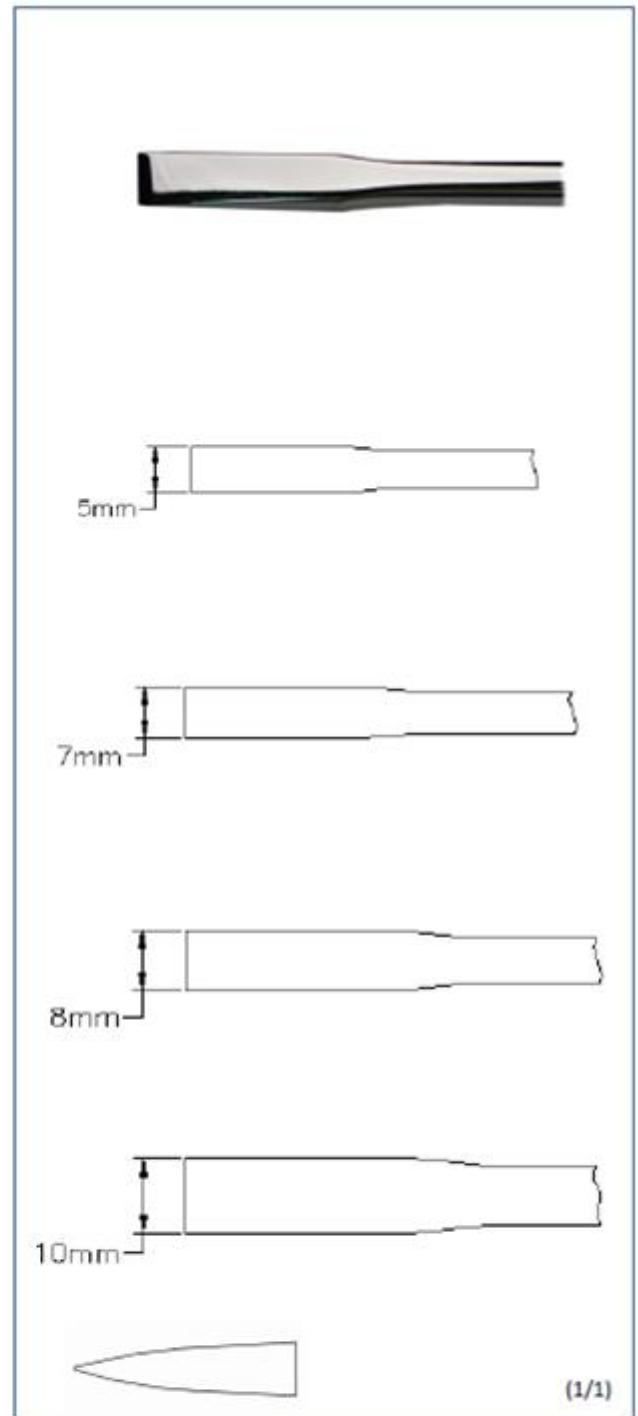
*7mm Width
39,5cm Length*

M 503008 – Ponta 8mm largura
39,5cm comprimento

*8mm Width
39,5cm Length*

M 503009 – Ponta 10mm largura
39,5cm comprimento

*10mm Width
39,5cm Length*

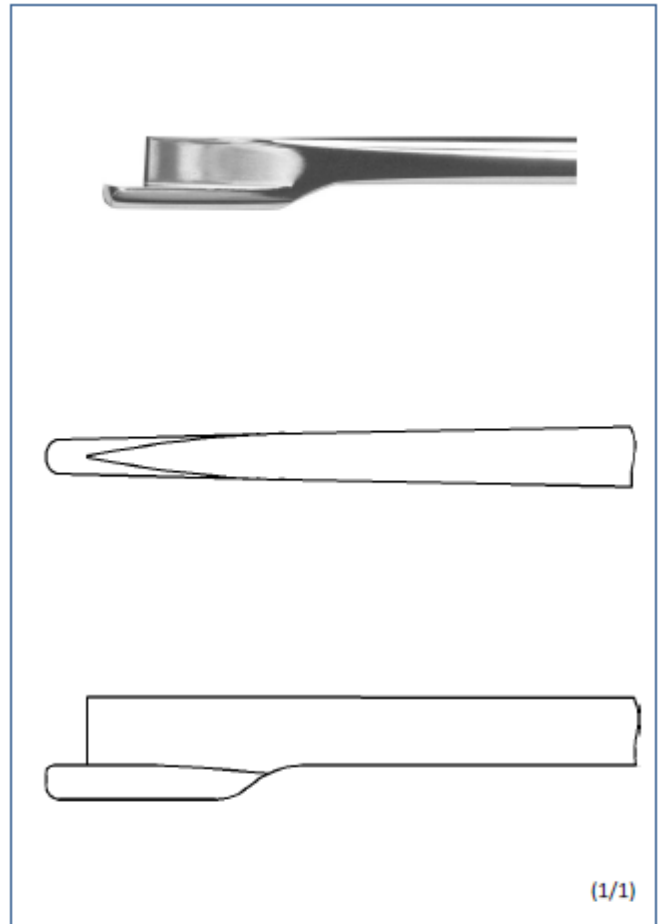


Ciseau pour fendre le ciment

Bone Cement Splitting Chisel

M 503010 – Ponta 10,5mm
39,5cm comprimento

*10,5mm Width
39,5cm Length*



Alésoirs embout AO

Hand Reamer with AO Fitting

M 503041 – Ø8mm
37cm comprimento
37cm Length

M 503042 – Ø9mm
37cm comprimento
37cm Length

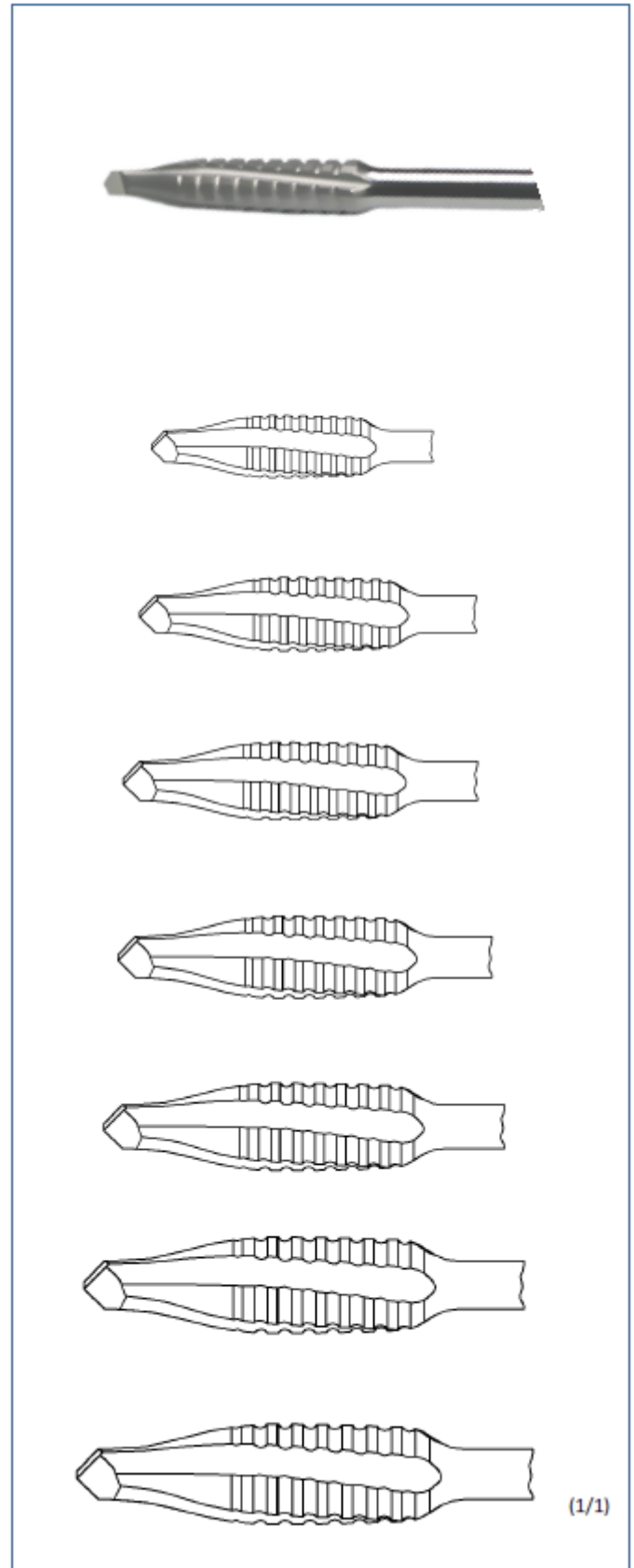
M 503043 – Ø10mm
37cm comprimento
37cm Length

M 503044 – Ø11mm
37cm comprimento
37cm Length

M 503046 – Ø12mm
37cm comprimento
37cm Length

M 503048 – Ø13mm
37cm comprimento
37cm Length

M 503050 – Ø14mm
37cm comprimento
37cm Length

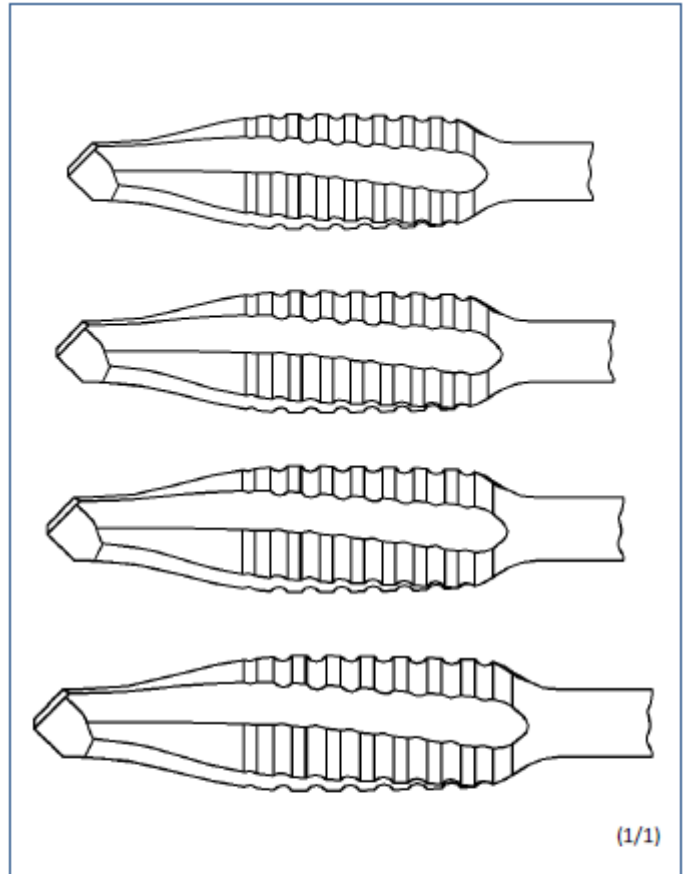


M 503052 – Ø15mm
37cm comprimento
37cm Length

M 503054 – Ø16mm
37cm comprimento
37cm Length

M 503056 – Ø17mm
37cm comprimento
37cm Length

M 503058 – Ø18mm
37cm comprimento
37cm Length



Ciseau rétrograde pour ciment à os

Retrograde Cement Chissel

M 503031 – Ponta 10mm
46,5cm comprimento

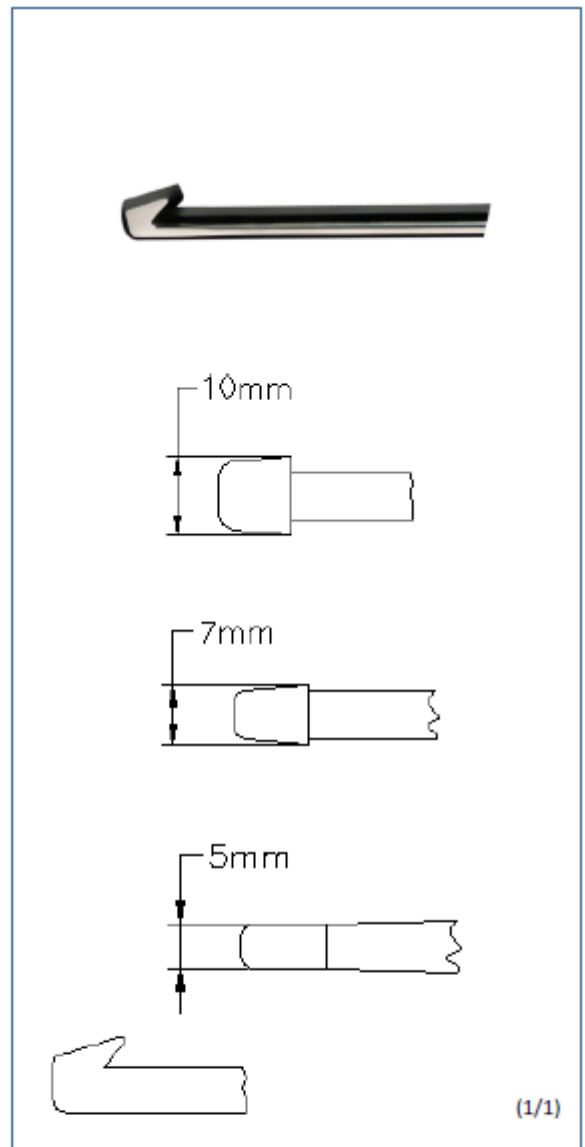
*10mm Width
46,5cm Length*

M 503033 – Ponta 7mm
46,5cm comprimento

*7mm Width
46,5cm Length*

M 503035 – Ponta 5mm
46,5cm comprimento

*5mm Width
46,5cm Length*



Marteau diapason

Slotted Driver

M 503092 – 22,5cm comprimento

22,5cm Length



Marteau coulissant pour extracteurs

Slide Hammer for Extractors

M 502298 – 34,4cm comprimento

34,4cm Length



Extracteur d'insert PE (auto-taroudant)

*Acetabular Cup Extractor (Self
Treading)*

M 503093 – Ø5mm até Ø7,5mm
14,3cm comprimento

14,3cm Length

M 503094 – Ø7,5mm até Ø10mm
14,3cm comprimento

14,3cm Length

M 503095 – Ø10mm até Ø12,5cm
14,3cm comprimento

14,3cm Length



Extracteur universel de tige fémorale

Universal Femoral Stem Extractor

M 502283 - Extractor (1)

M 503096 – Punho (2)



Extracteur de tête fémorale prothétique

Femoral Head Extractor

M 502296 – Extractor (12/14)
18cm comprimento

18cm Length

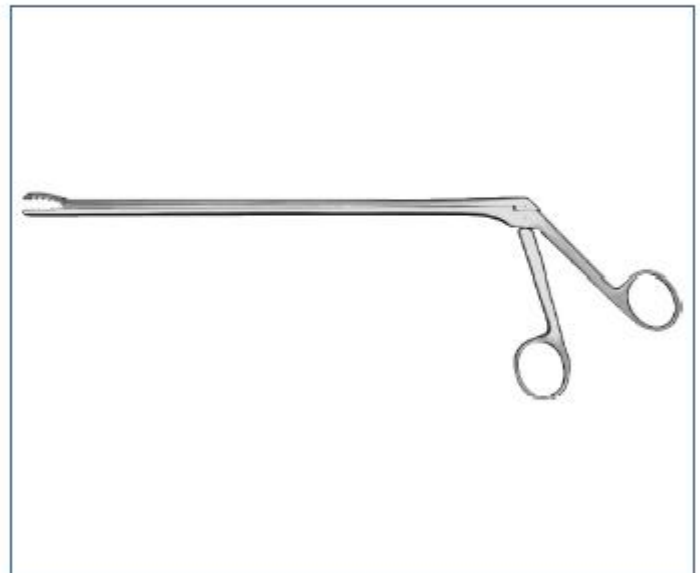


Pince à ciment

Cement Grasping Forceps

M 503029 – 26cm comprimento

26cm Shaft





ORTHORIGINAL

44C, rue de Bray

35510 Cesson-Sévigné, FRANCE

Tel. : +33 (0)2 23 35 53 40

Fax. : +33 (0)2 23 35 16 35

contact@orthoriginal.com

www.orthoriginal.com